

## ITI NEWS – FOR IMMEDIATE RELEASE

### ITI and Cadmatic Collaborate to Elevate CADMATIC 3D Plant Design with Innovative Model Simplification Solution

Milford, OH, 2<sup>nd</sup> October 2023 - [International Technegroup Incorporated](#) (ITI), a leading provider of interoperability solutions, has joined forces with [Cadmatic](#), a renowned developer of digital and intelligent 3D design and information management software solutions for the marine, power, process, and construction industries, to use ITI's [CADfix PPS](#) model simplification solution to enhance the performance of [CADMATIC 3D Plant Design](#).

The partnership has given birth to an exciting new add-on product, the CADMATIC Model Simplifier, which significantly enhances CADMATIC 3D Plant Design performance. This groundbreaking solution is empowered by ITI's CADfix PPS automatic model simplification technology, designed to address the challenges posed by importing large and complex equipment assembly models.

The CADfix PPS automatic model simplification wizard enables engineers to achieve rapid and automatic simplification of fully detailed CAD models, removing small parts, unwanted features, internal components, and transforming complex structures into basic shapes. This breakthrough technology, integrated into CADMATIC 3D Plant Design, optimizes performance and streamlines the design process.

Tommy Norström, Commercial Offering Director, Cadmatic, said, “At Cadmatic, we understand the specific engineering needs of our customers in the plant industry. Our 3D plant design tools are created to meet the needs of your team for any size or complexity of project. Plant layouts include many machines and large equipment installations. Having a CAD model of these installations with all manufacturing details can adversely impact performance. The new Cadmatic simplification tool powered by CADfix PPS allows users to eliminate small CAD features and excessive details and to seamlessly integrate the equipment model into the plant model. Customers can now significantly increase the performance of CADMATIC 3D Plant Design and enhance productivity.”

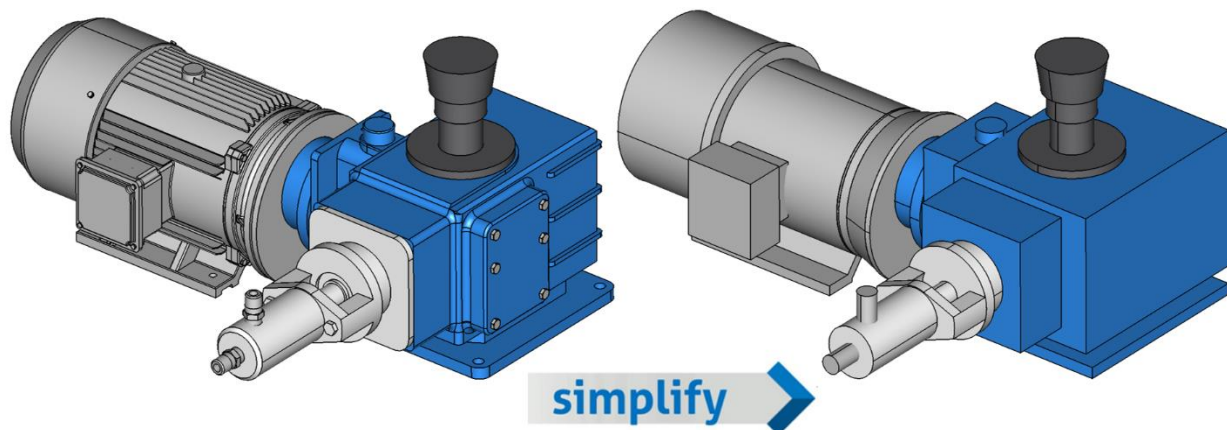


Figure: CADfix PPS automatic simplification of complex MCAD equipment assembly model



Contact: Justin Falkenstein  
ITI, a Wipro company  
Phone: 513-576-3858  
Email: [justin.falkenstein@iti-global.com](mailto:justin.falkenstein@iti-global.com)

5303 DuPont Circle  
Milford, OH 45150  
[www.iti-global.com](http://www.iti-global.com)

The newly introduced add-on product facilitates the import of complex 3D CAD equipment models from external Mechanical CAD (MCAD) systems into CADMATIC 3D Plant Design. During the import process, engineers have the option of simplifying equipment items before their integration into the layout model. This efficiency improvement translates into faster work, quicker loading times, and expedited drawing creation, enabling customers to work on projects more efficiently and with greater precision.

Andy Chinn, Director, ITI, said, *“We are delighted to be working with Cadmatic to deliver the new model simplification product that extensively heightens performance and allows customers to reduce large MCAD model files ahead of integration into CADMATIC 3D Plant Design. It is rewarding to see CADfix PPS contributing to the enriched usability of plant design systems, saving days of non-productive geometry simplification, and ultimately helping customers get to production faster.”*

This collaboration between ITI and Cadmatic marks a significant leap forward in the field of plant design, providing engineers with the tools they need to streamline their processes, improve productivity, and enhance overall project outcomes.

### **About ITI, a Wipro company**

ITI specializes in conversion, integration, validation and migration solutions for product data and related systems. Our customers recognize the value of having a trusted solution partner that provides more than just software. ITI solves complex product data interoperability problems so that the world’s leading manufacturers can focus on making great products. In 2019 ITI became a wholly owned subsidiary of Wipro Limited, a leading global information technology, consulting, and business process services company. ITI operates within the Wipro Engineering business that provides customers with a platform to innovate and engineer the next generation of products and platforms at scale.

[www.iti-global.com](http://www.iti-global.com)

### **About Wipro Limited**

Wipro Limited (NYSE: WIT, BSE: 507685, NSE: WIPRO) is a leading global information technology, consulting, and business process services company. We harness the power of cognitive computing, hyper-automation, robotics, cloud, analytics, and emerging technologies to help our clients adapt to the digital world and make them successful. A company recognized globally for its comprehensive portfolio of services, strong commitment to sustainability and good corporate citizenship, we have over 170,000 dedicated employees serving clients across six continents. Together, we discover ideas and connect the dots to build a better and a bold new future.

[www.wipro.com](http://www.wipro.com)

### **About Cadmatic**

Cadmatic is a leading developer of digital and intelligent 3D design and information management software solutions for the marine, power, process, and construction industries. It empowers engineers to build a brighter future and a better world by making the design, engineering, construction and operation of ships, industrial plants and buildings better, faster and easier. Cadmatic has over 6000 customer organizations in 60 countries.

<https://www.cadmatic.com/>