



CADfix removes the barriers that prevent the effective reuse of solid models. By providing an extensive set of geometry processing tools for importing, repairing, simplifying and exporting data, CADfix maximizes the reuse of CAD data in downstream CAD, CAM, CAE and VR applications.

Support

Native

- CATIA V4
- CATIA V5
- Creo
- Inventor
- NX
- SOLIDWORKS
- Solid Edge

Neutral

- DXF/DWG
- FBX
- glTF
- IFC
- IGES
- JT Open
- OBJ
- Open CASCADE
- Parasolid
- SAT
- STEP
- STL
- USD
- VDA-FS
- XGL/ZGL

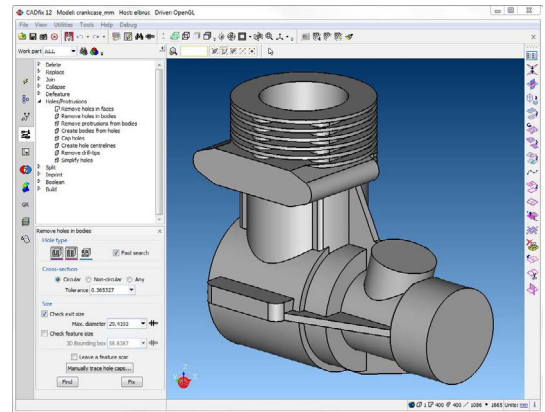
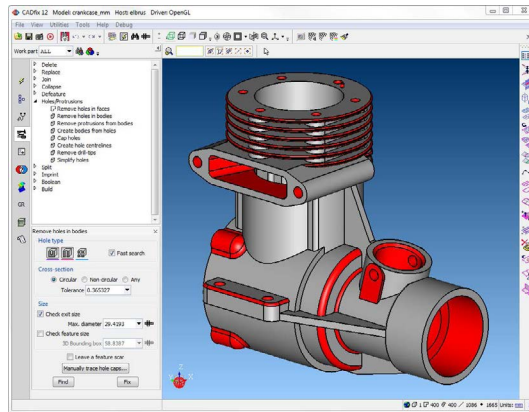
Specialist CAE

- AGPS
- ANSYS
- SC03
- Solar/Centaur/Flite

Platforms

- Windows
- Linux

By detecting and repairing a range of CAD geometry issues, the user-friendly CADfix Wizard interface ensures that models are correctly defined and suitably flavored for use in downstream systems.



“Before CADfix, our team was spending valuable time translating and repairing customer models. With CADfix we’ve eliminated expensive model rework. Now we can focus on better servicing our customer needs and project deliverables.”

- Ryan Holden, Millbrook Group

CADfix is packaged as a desktop or server solution, with extensible modular functionality dependent upon the end user’s geometry processing requirements. The application can be integrated into PLM or workflow automation tools. CADfix also serves as a geometry pre-processor for proprietary CAE-centric OEM applications.

CADfix Features:

- Import and export interfaces for multiple CAD formats, solid modeling kernels and data exchange standards
- Advanced healing and repair to correct geometric and topological errors in CAD models
- Comprehensive simplification and de-features to prepare models for analysis
- Automatic wizard, batch and diagnostic-driven modes for automatic and interactive functionality

About ITI, a Wipro company

ITI is the global leader providing reliable interoperability, validation, and migration solutions for product data and related systems. ITI solves complex product data interoperability problems so the world’s leading manufacturers can focus on making great products. ITI is a wholly owned US-based subsidiary of Wipro, Ltd, and exists within the Wipro Engineering business. Wipro Engineering provides customers with a platform to innovate and engineer the next generation of products and platforms at scale.