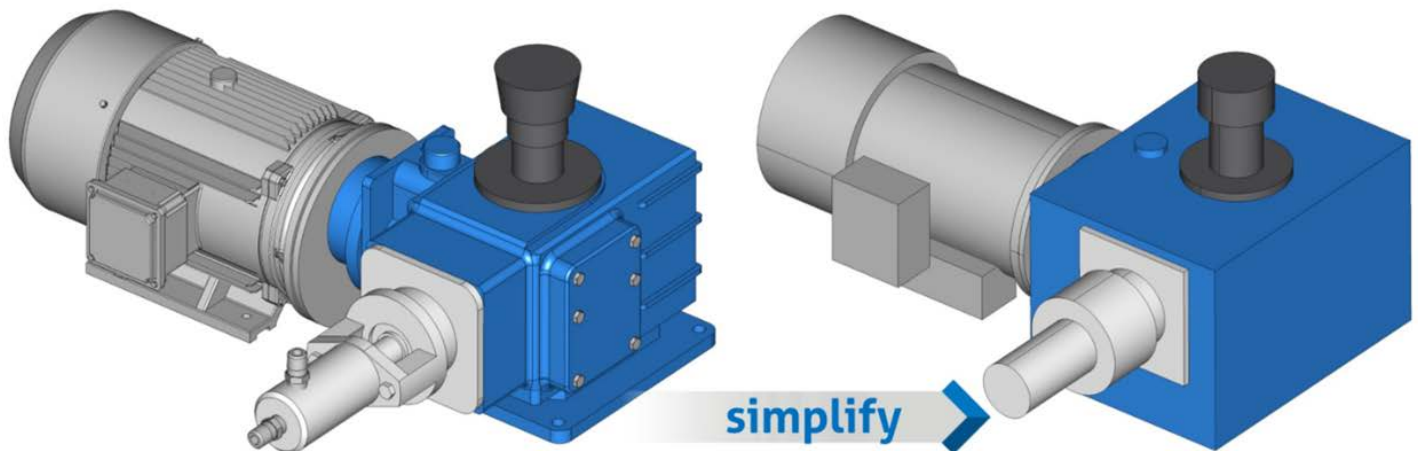

ITI NEWS – FOR IMMEDIATE RELEASE

CADfix Integration with Tech Soft 3D HOOPS Platform

Milford OH, November 28, 2022 - Global interoperability solution provider [International TechneGroup Incorporated \(ITI\)](#), has developed an integration of key [CADfix](#) technology into the [Tech Soft 3D](#) HOOPS platform, opening up the potential for Tech Soft 3D users and developers to take advantage of the industry leading CADfix geometry processing, model simplification, and meshing technology.

The integration of the [CADfix PPS](#) model simplification solution with the HOOPS platform gives users the ability to apply the advanced, automated CADfix PPS model simplification and detail reduction tools to complex mechanical CAD models.



CADfix PPS generates lightweight simplified versions of CAD models to meet the demands of downstream applications, where the full detail of the mechanical CAD model is not required, but the overall aesthetic is needed for visualization, positioning, and packaging. CADfix PPS achieves significant reductions in model size and complexity whilst retaining the key features of the source CAD model.

The integration of the [CADfix Viz](#) model optimization and meshing solution allows HOOPS users to create high-quality faceted representations of a CAD model, with options for simplification and mesh sizing, that enable the generation of optimized multiple Level of Detail (LOD) mesh representations.

Guido Hoffmann, Technical Fellow, Tech Soft 3D, commented, “As CAD data get larger and larger, the kind of intelligent model simplification and remeshing that is provided by CADfix PPS and Viz is an important piece of the puzzle in many areas, in particular around digital twin workflows. It’s great that through our Integration Partner Program, HOOPS users can now easily integrate this powerful technology into their applications.”

Andy Chinn, Director, ITI, said, “We are delighted to have worked with Tech Soft 3D to deliver these CADfix integrations that will enable HOOPS users to enhance their digital workflows, by applying automated simplification and advanced mesh generation to optimize models for heightened performance. The integration opens the way for the full range of the CADfix geometry handling and meshing technology being made available to the HOOPS user community.”



Contact: Justin Falkenstein
ITI, a Wipro company
Phone: 1-888-783-9199
Email: justin.falkenstein@iti-global.com

5303 DuPont Circle
Milford, OH 45150
www.iti-global.com

About ITI, a Wipro company

International TechneGroup Inc. began in 1983 with a mission to help manufacturers drive innovation and time to market by applying computer-aided product development to engineering problems. Today, ITI specializes in conversion, integration, validation and migration solutions for product data and related systems. Our customers recognize the value in having a trusted solution partner that provides more than just software. ITI solves complex product data interoperability problems so that the world's leading manufacturers can focus on making great products. In 2019 ITI became a wholly owned subsidiary of Wipro Limited, a leading global information technology, consulting, and business process services company. ITI operates within the Wipro Engineering business that provides customers with a platform to innovate and engineer the next generation of products and platforms at scale.

www.iti-global.com

About Wipro Limited

Wipro Limited (NYSE: WIT, BSE: 507685, NSE: WIPRO) is a leading global information technology, consulting, and business process services company. We harness the power of cognitive computing, hyper-automation, robotics, cloud, analytics, and emerging technologies to help our clients adapt to the digital world and make them successful. A company recognized globally for its comprehensive portfolio of services, strong commitment to sustainability and good corporate citizenship, we have over 170,000 dedicated employees serving clients across six continents. Together, we discover ideas and connect the dots to build a better and a bold new future.

www.wipro.com

About Tech Soft 3D

Tech Soft 3D is the leading provider of engineering software development toolkits. Established in 1996 and headquartered in Bend, Oregon, Tech Soft 3D also has offices in California, France, England, Japan and Norway. The company's toolkit products power more than 500 unique applications running on hundreds of millions of computers worldwide. Tech Soft 3D is backed by investment firm Battery Ventures. For more information, visit www.techsoft3d.com.